

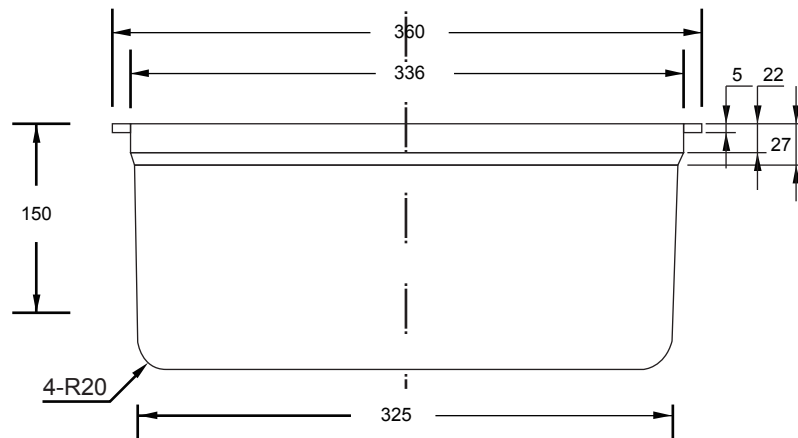
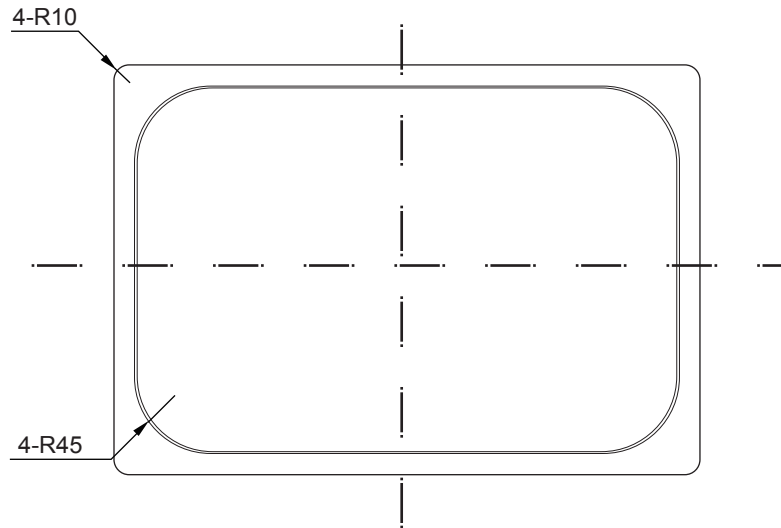
**12 Litre Stainless Steel Pan**

201 Stainless Steel, 22 Gauge

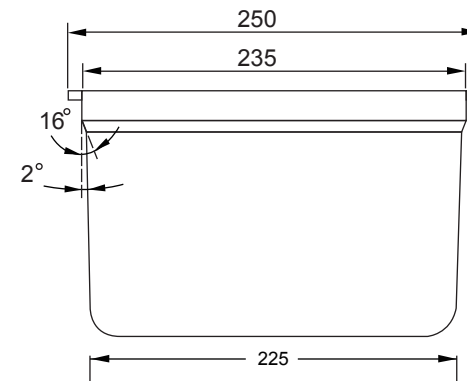
Nominal Size 14.17" x 9.75" x 6"

Anti Jam Feature

**Top View**



**Front View**



**Side View**

**Tarrison Products Ltd.**

**Corporate Head Office**

2780 Coventry Road, Oakville, Ontario, L6h 6R1

Phone: 905-825-9665 Fax: 905-825-0965

sales@tarrison.com www.tarrison.com

**US Sales Office**

4 Park Street, Essex Junction, VT, 05452

Phone: 802-922-7025 Fax: 905-825-0965

tarrisonus@comcast.net www.tarrison.com